

SM-72M CONVENTIONAL SERIES 72 CELLS

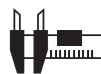
360-380W



19.58%
Max efficiency

15 YEARS

Guarantee on product material and workmanship



156.75mm
Monocrystalline solar cells

25 YEARS

Linear power output warranty

KEY FEATURES



100% double EL test enabling remarkable reduction of hidden crack rate of modules



Positive power tolerance (3 ~ +10W) guaranteed



Lower risk of hot spot effects



Significantly lower LCOE and BoS cost savings



Low Light Features
Higher performance under low light environment.



5BB Cell
More uniform current collection capability, reducing the current heat loss of the internal cells.



PID Protection
Ensure the attenuation probability caused by PID phenomenon is minimized

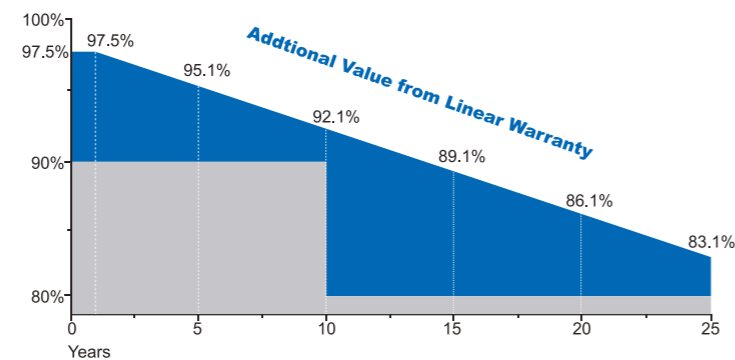
MANAGEMENT SYSTEM

ISO 9001: Quality management system

ISO 14001: Standard for environmental management system

OHSAS 18001: International standard for occupational health and safety assessment system

WARRANTY



INSURANCE



PRODUCT CERTIFICATES



MONO 72 CELLS | 5BB

Electric Characteristics

| Model of modules | SM-360-72M | | SM-365-72M | | SM-370-72M | | SM-375-72M | | SM-380-72M | |
|-------------------------------------|------------|-------|------------|-------|------------|-------|------------|-------|------------|-------|
| | STC | NOCT | STC | NOCT | STC | NOCT | STC | NOCT | STC | NOCT |
| Maximum power— P_{mp} (W) | 360W | 270W | 365W | 274W | 370W | 278W | 375W | 282W | 380W | 286W |
| Open-circuit voltage— V_{oc} (V) | 48.0V | 46.5V | 48.2V | 46.8V | 48.5V | 47.0V | 48.7V | 47.2V | 48.9V | 47.5V |
| Short-circuit current— I_{sc} (A) | 9.51A | 7.61A | 9.57A | 7.68V | 9.61A | 7.75A | 9.68A | 7.82A | 9.75A | 7.88A |
| Maximum power voltage— V_{mp} (V) | 39.5V | 37.7V | 39.7V | 37.9V | 39.9V | 38.1V | 40.2V | 38.3V | 40.5V | 38.6V |
| Maximum power current— I_{mp} (A) | 9.12A | 7.17A | 9.20A | 7.24A | 9.28A | 7.30A | 9.33A | 7.36A | 9.39A | 7.42A |
| Module efficiency— η_m (%) | 18.55% | | 18.81% | | 19.07% | | 19.33% | | 19.58% | |

STC: Irradiance 1000 W/m², 25°C, AM1.5

NOCT: Irradiance 800 W/m², 20°C, wind velocity 1m/s

Temperature Characteristics

| | |
|--|-------------|
| Temperature coefficient at maximum power | -0.37% / C |
| Temperature coefficient of Voc | -0.28% / C |
| Temperature coefficient of Isc | +0.048% / C |
| Current operating temperature | -40~+85 C |
| Rated operating temperature of cells | 45±2 C |

Structural Characteristics

| | |
|-------------------|---|
| Module dimensions | 1956x992x40mm |
| Weight | 22.5kg |
| No. of Half-cells | 72 |
| Cell | Mono crystalline 156.75x156.75mm |
| Glass | 3.2mm AR coating tempered glass |
| Frame | Anodized aluminum alloy |
| Junction box | IP68, three diodes |
| Output wire | 4.0 mm ² , wire length: 1200mm or Customized |
| Connector | MC4 compatible |
| Mechanical load | Snow load 5400Pa/Wind load 2400Pa |

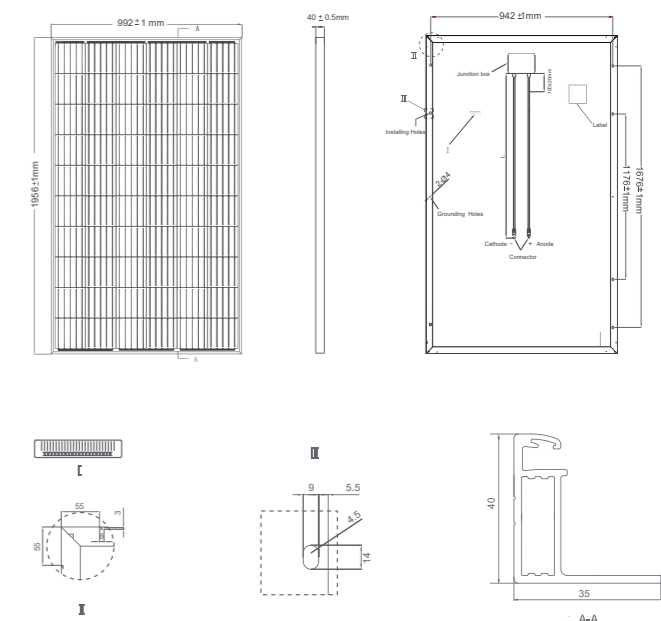
Working Characteristics

| | |
|--------------------------------|-------------|
| Power tolerance(W) | (3,+10) |
| Maximum system voltage(V) | 1000V/1500V |
| Maximum rated fuse current (A) | 20 |

Packaging Configuration

| | | |
|------------------------|------|------|
| Container | 20GP | 40HQ |
| Quantity per pallet | 26 | 27 |
| Pallets per container | 10 | 24 |
| Quantity per container | 260 | 708 |

Engineering Drawings



IV Curves

